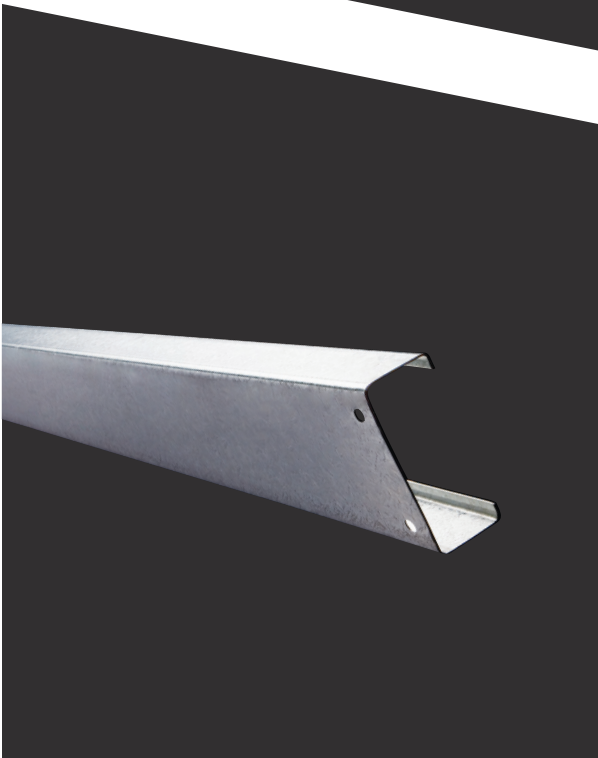
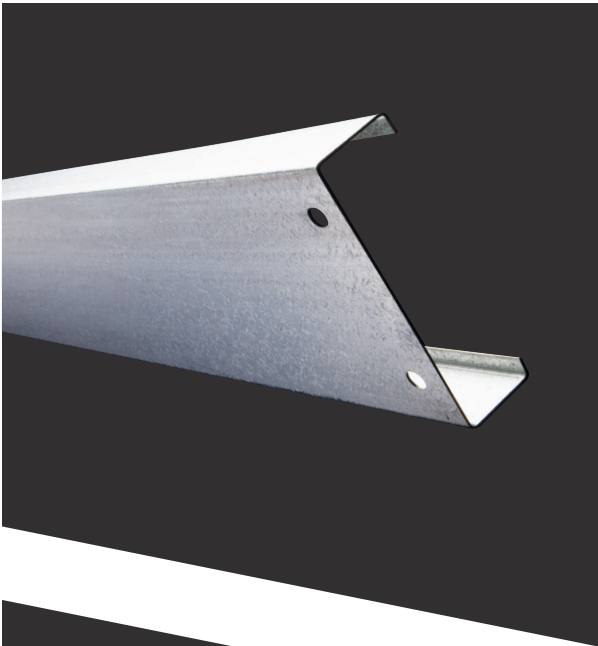


ST37

# Steeline C Purlins



## C Purlins

Steeline C Purlins are an ideal product that give long spans between portal frames on your commercial building. C Purlins are available in different sizes and material strengths to match the design computations of your building. Steeline C Purlins are made from Galvaspan quality steel and is roll formed to length with holes punched to your specification.



## Application

Steeline C section structural purlins are mainly used for commercial applications but are just as cost effective to be used for smaller type garages and carports. The C sections can also form part of the columns and rafters in these smaller applications made from Galvaspan steel C section purlins come in different sizes and thicknesses to cater for your needs.

## Safe roof purlin spans

The safe spans below are suitable for sheds and class 1 structures with the following assumptions:

NonCyclonic sites only

$C_{pe} = 0.9$  and  $C_{pi} = +0.2$

High Pressure Zones  $KL = 1.5$  and  $2.0$  included

Max roof span allowed - 12M

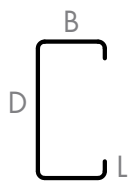
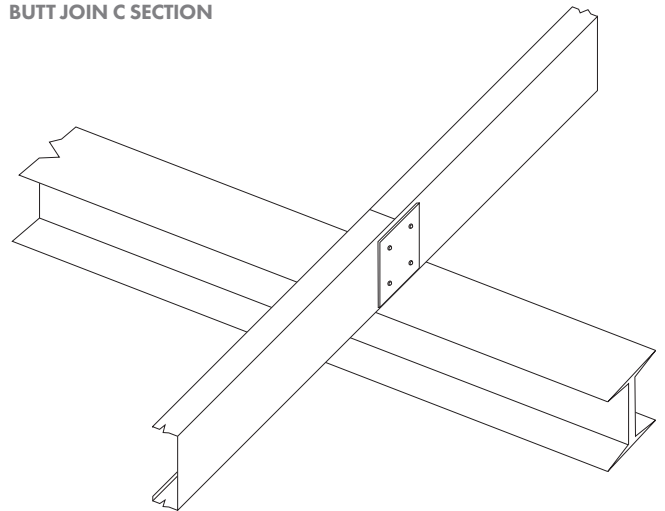
All Spans to have 1 row of bridging

Cleated or bracketed fixing Only - No flange bolting

Results are for at least two spans

Full calculation of requirements using Steeline section properties should be carried out for full verification

BUTT JOIN C SECTION



C100



C150



C200



C250

Note: For sizes greater than 250mm check with your local member.

Section Size (mm)	Thickness (mm)	D (mm)	Z Sections			C Sections		Mass (kg/m)
			E (mm)	F (mm)	L (mm)	B (mm)	L (mm)	
100-10	1.0	102	53	49	12.5	51	12.5	1.78
100-12	1.2	102	53	49	12.5	51	12.5	2.01
100-15	1.5	102	53	49	13.5	51	13.5	2.62
100-19	1.9	102	53	49	14.5	51	14.5	3.29
150-12	1.2	152	65	61	15.5	64	14.5	2.89
150-15	1.5	152	65	61	16.5	64	15.5	3.59
150-19	1.9	152	65	61	17.5	64	16.5	4.51
150-24	2.4	152	66	60	19.5	64	18.5	5.70
200-12	1.2	203	79	74	15.0	76	15.0	3.59
200-15	1.5	203	79	74	15.0	76	15.5	4.49
200-19	1.9	203	79	74	18.5	76	19.0	5.74
200-24	2.4	203	79	73	21.5	76	21.0	7.24
250-15	1.5	254	79	74	18.0	76	18.0	5.15
250-19	1.9	254	79	74	18.0	76	18.5	6.50
250-24	2.4	254	79	73	21.0	76	20.5	8.16
300-19	1.9	300	100	93	27.0	96	26.5	7.99
300-24	2.4	300	100	93	27.0	96	27.5	10.09
300-30	3.0	300	100	93	31.0	96	31.5	12.76
350-24	2.4	350	129	121	30.0	125	29.0	12.18
350-30	3.0	350	129	121	30.0	125	30.0	15.23
400-24	2.4	400	129	121	30.0	125	28.0	13.16
400-30	3.0	400	129	121	30.0	125	30.0	16.39

