



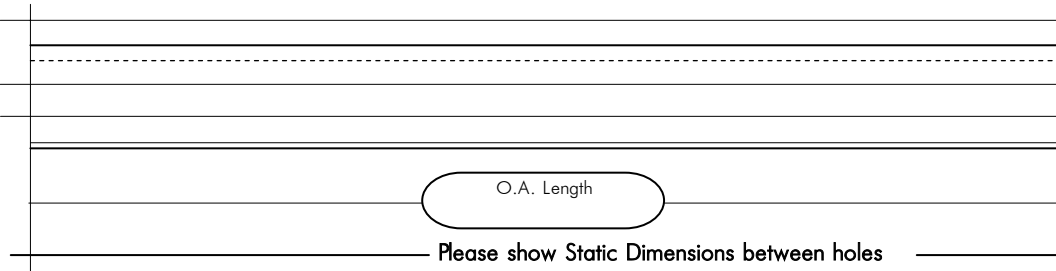
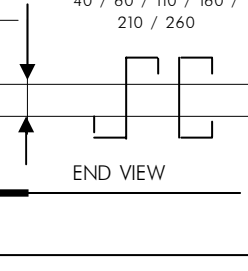
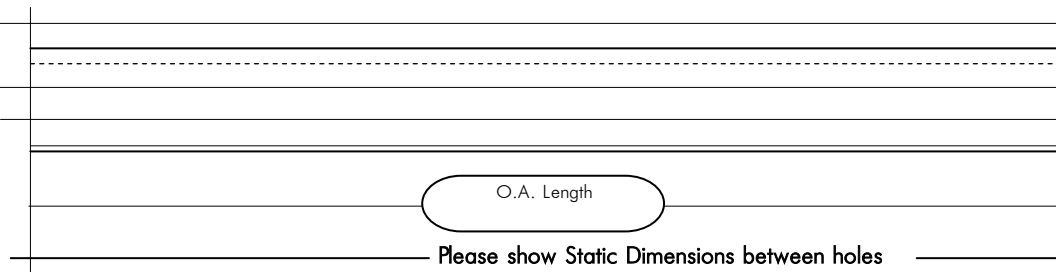
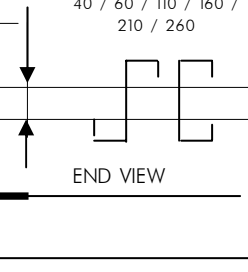
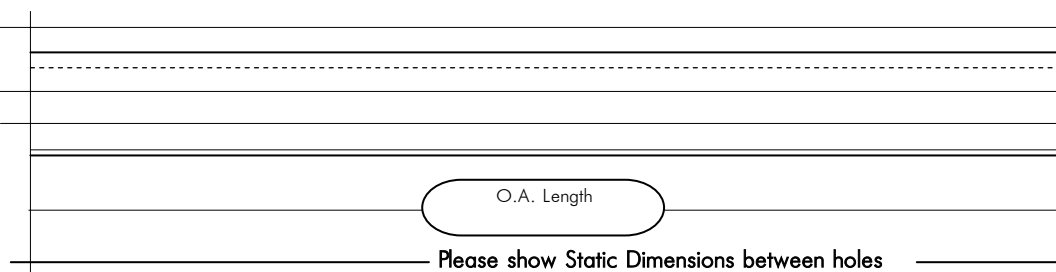
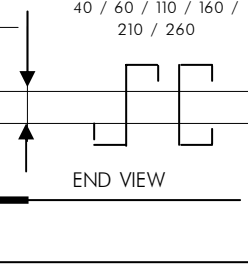
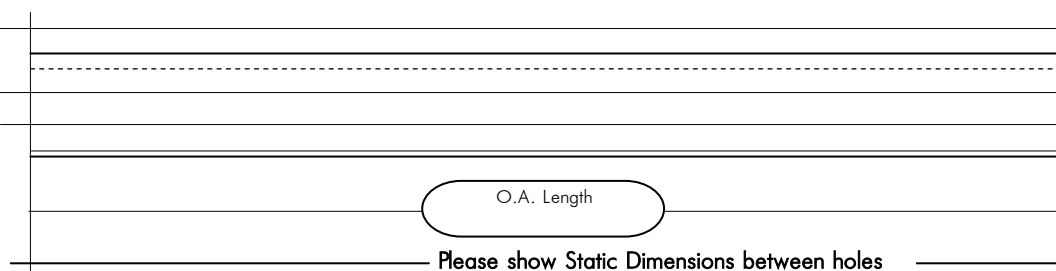
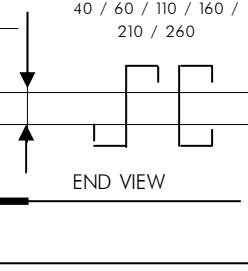
Service over and above

Steeline Riverstone

68 Princes Street,
 (PO Box 386)
 Riverstone NSW 2765
 Telephone: (02) 9838 1880
 Facsimile: (02) 9627 4707

DATE:
 ORDER NO.:
 CLIENT:
 DELIVERY ADDRESS:

PAGE: of

 <p>Please show Static Dimensions between holes</p>	<p>CIRCLE HOLE CENTRE 40 / 60 / 110 / 160 / 210 / 260</p>  <p>END VIEW</p>	<input type="checkbox"/> AS DRAWN Mk. No.: _____ <input type="checkbox"/> OPP. HAND Mk. No.: _____ <div style="border: 1px solid black; padding: 5px; text-align: center;">PURLIN TYPE</div> <div style="border: 1px solid black; padding: 5px; text-align: center;">C / Z</div>
 <p>Please show Static Dimensions between holes</p>	<p>CIRCLE HOLE CENTRE 40 / 60 / 110 / 160 / 210 / 260</p>  <p>END VIEW</p>	<input type="checkbox"/> AS DRAWN Mk. No.: _____ <input type="checkbox"/> OPP. HAND Mk. No.: _____ <div style="border: 1px solid black; padding: 5px; text-align: center;">PURLIN TYPE</div> <div style="border: 1px solid black; padding: 5px; text-align: center;">C / Z</div>
 <p>Please show Static Dimensions between holes</p>	<p>CIRCLE HOLE CENTRE 40 / 60 / 110 / 160 / 210 / 260</p>  <p>END VIEW</p>	<input type="checkbox"/> AS DRAWN Mk. No.: _____ <input type="checkbox"/> OPP. HAND Mk. No.: _____ <div style="border: 1px solid black; padding: 5px; text-align: center;">PURLIN TYPE</div> <div style="border: 1px solid black; padding: 5px; text-align: center;">C / Z</div>
 <p>Please show Static Dimensions between holes</p>	<p>CIRCLE HOLE CENTRE 40 / 60 / 110 / 160 / 210 / 260</p>  <p>END VIEW</p>	<input type="checkbox"/> AS DRAWN Mk. No.: _____ <input type="checkbox"/> OPP. HAND Mk. No.: _____ <div style="border: 1px solid black; padding: 5px; text-align: center;">PURLIN TYPE</div> <div style="border: 1px solid black; padding: 5px; text-align: center;">C / Z</div>