

Steeline C Purlins

Structural C Section Purlins

ST37



Galvaspan®

Steeline C Purlins are an ideal product that provide long spans between portal frames on your commercial building. Steeline C Purlins are available in different sizes and material strengths to match the design specification of your building. Steeline C Purlins are made from quality GALVASPAN® steel and are rollformed to length with holes punched to your specification.



Ph. 1300 STEELINE

www.steeline.com.au

Service over and above

Application

Steeline C Section Structural Purlins are mainly used for commercial applications but are just as cost effective to be used for smaller type garages and carports. The C sections can also form part of the columns and rafters in these smaller applications.

Safe roof purlins spans

The safe spans below are suitable for sheds and class 1 structures with the following assumptions:

Non-cyclonic sites only

$C_{pe} = 0.9$ and $C_{pi} = +0.2$

High Pressure Zones $KL = 1.5$ and 2.0 included

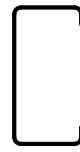
Max roof span allowed - 12M

All Spans to have 1 row of bridging

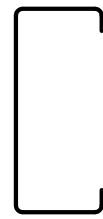
Cleated or bracketed fixing Only - No flange bolting

Results are for at least two spans

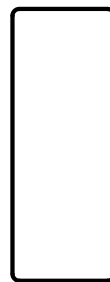
Full calculation of requirements using Steeline section properties should be carried out for full verification



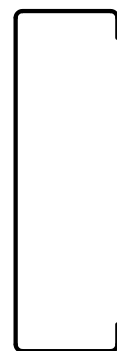
C100



C150

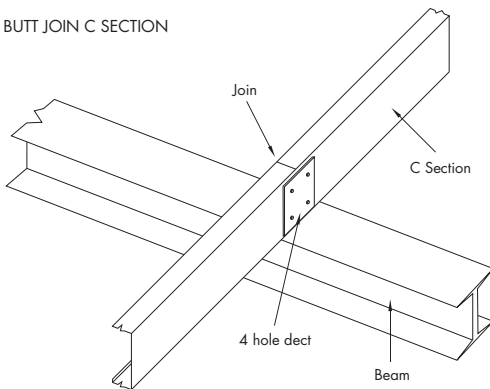


C200



C250

BUTT JOIN C SECTION



Note: For sizes greater than 250mm check with your local member.

SAFE ALLOWABLE ROOF PURLIN SPANS (MM)

SECTION	WIND SPEED 33M/S			WIND SPEED 41M/S			WIND SPEED 50M/S		
	900	1200	1500	900	1200	1500	900	1200	1500
C 10010	4000	3500	3000	3250	2850	2450	2650	2400	2000
C 10012	4500	3900	3500	3650	3150	2850	3000	2600	2300
C 10015	4800	4350	4000	3900	3550	3250	3200	2900	2650
C 10019	5200	4700	4350	4250	3800	3550	3450	3100	2900
C 15012	6300	5500	4800	5100	4450	3900	4200	3650	3200
C 15015	7200	6500	6000	5850	5300	4900	4800	4300	4000
C 15019	8750	7300	6600	6800	6000	5350	5800	4850	4400
C 15024	10300	8700	7600	7200	7100	6200	6800	5800	5050
C 20015	8900	7600	6600	7200	6200	5350	6000	5050	4400
C 20019	11500	9800	8600	7800	7800	7000	7650	6500	5700
C 20024	13500	11500	10200	9000	9000	8300	9000	7600	6800
C 25019	12600	10800	9500	10000	8800	7700	8400	7200	6300
C 25024	16000	13700	12000	12000	11000	9800	10600	9100	8000

Steeline has over 40 locations operating in every state and territory

