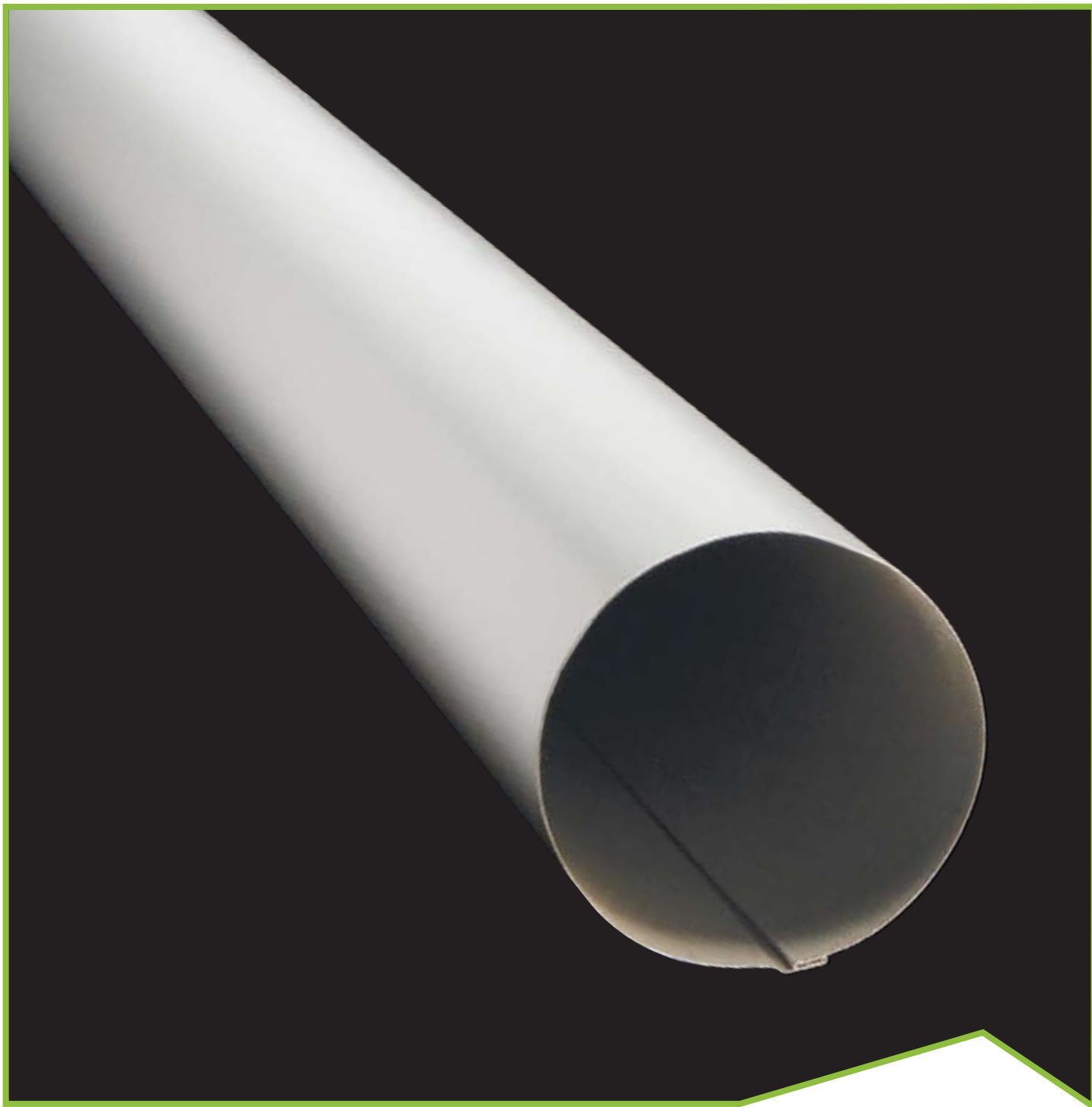


Steeline Round Downpipes

75, 90 & 100 Diameter

ST25



Colorbond® Zinalume®

Steeline Round Downpipes come in different size and lengths (1.8m and 2.4m) depending on the amount of rainwater to be discharged and the number of downpipes to be installed on the building. Each downpipe has a big and a small end for the ease of joining. Steeline Round Downpipes are made from quality COLORBOND® or ZINCALUME® steel, so are strong & long lasting.



Ph. 1300 STEELINE

www.steeline.com.au

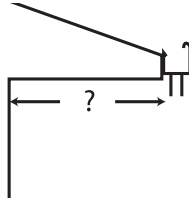
Service over and above

Fixing Instructions

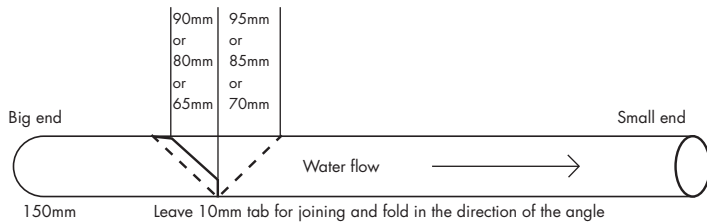
1. The downpipe big end is placed over the outlet in the gutter.
2. Multiple lengths if required are joined simply by sliding the small end into the large end until the downpipe is long enough to fit into the storm water drain outlet.
3. Clips or astrigals are then placed over the downpipe and fixed to the wall or post at spacing of no greater than 2 metres apart.

Making offsets

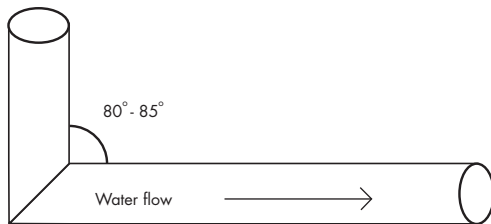
1. Measure the distance from the back of the gutter drop to the wall or post



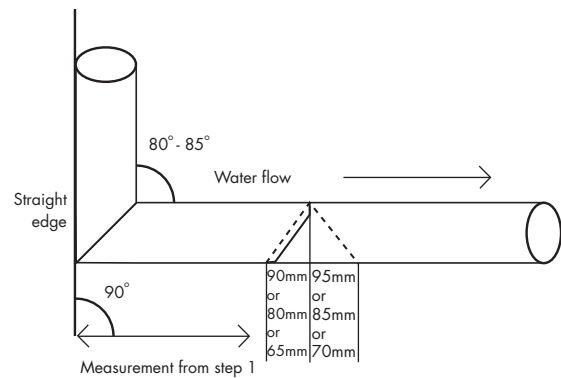
2. Lay downpipe with seam facing up and using the big end measure down approx 150cm. For a 75mm diameter gutter, cut out 70mm + 65mm. For a 90mm diameter gutter, cut out 85mm + 80mm. For a 100mm diameter gutter, cut out 95mm + 90mm.



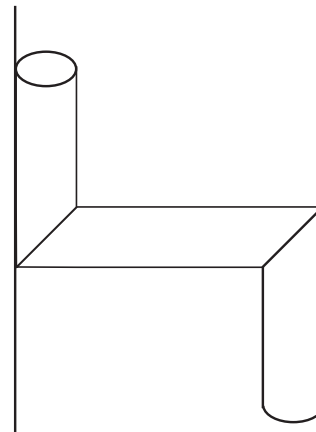
3. Place large mitre cut side over the 10mm tabs, rivet and seal.



4. Lay straight edge as shown and mark the measurement from step 1 at right angle to the straight edge.



5. Mark and cut downpipe as shown in step 4.
6. Leave 10mm tabs on flow side and fold the tabs to angle. Fit mitre together, rivet and seal.



7. To extend downpipe to drainage level simply add extra lengths using the big and small end system.

Steeline has over 40 locations operating in every state and territory

